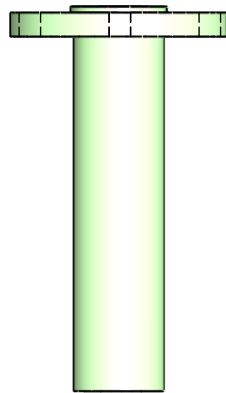
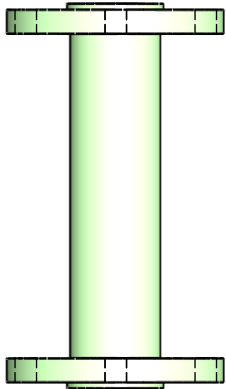
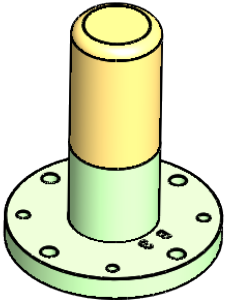
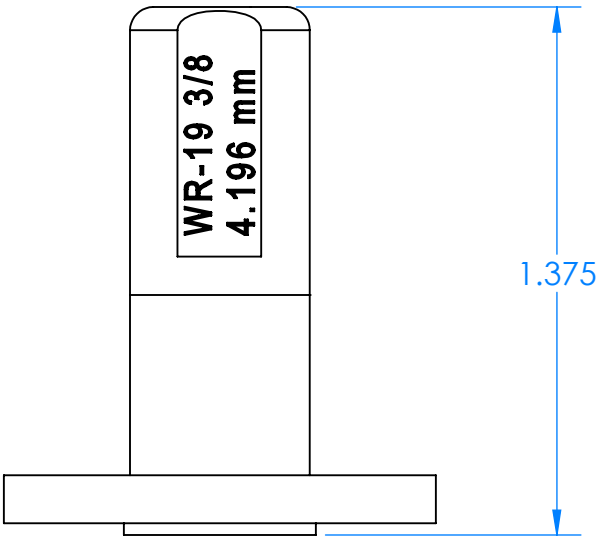


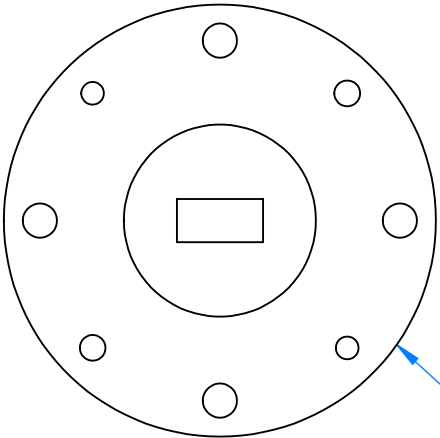
REVISIONS			
REV	DESCRIPTION	DATE	APPROVED
-	-	-	-



WR-19 UG-383
TERMINATION:
LENGTH 2"

WR-19 UG-383
STRAIGHT W/G:
LENGTH 2"

WR-19_WAVEGUIDE OFFSET



383 FLANGE

- WR-19 3/8 WAVE - 4.196mm
- 1/4 WAVE - 3.22mm
- 1/8 WAVE - 2.245mm
- ZERO SET - 1.270mm

DECIMALS: XXXX ±.0005 XXX ±.005 XX ±.01 ANGLES: ± .5 DEGRESS THIRD ANGLE PROJECTION	NAME DRAWN CC CHECKED MS ENG LS	DATE 9-8-21 9-8-21 9-8-21	TITLE: Mi-Wave Millimeter Products Inc.		REV - SHEET 1 OF 1
	MATL: 6061 T6 ALUMINUM		SIZE A	DWG. NO. 780U-CALIBRATION KIT-383_OUTLINE_26297	
	SCALE: 2:1		WEIGHT:		